

Rated Voltage : 12V/ 24V

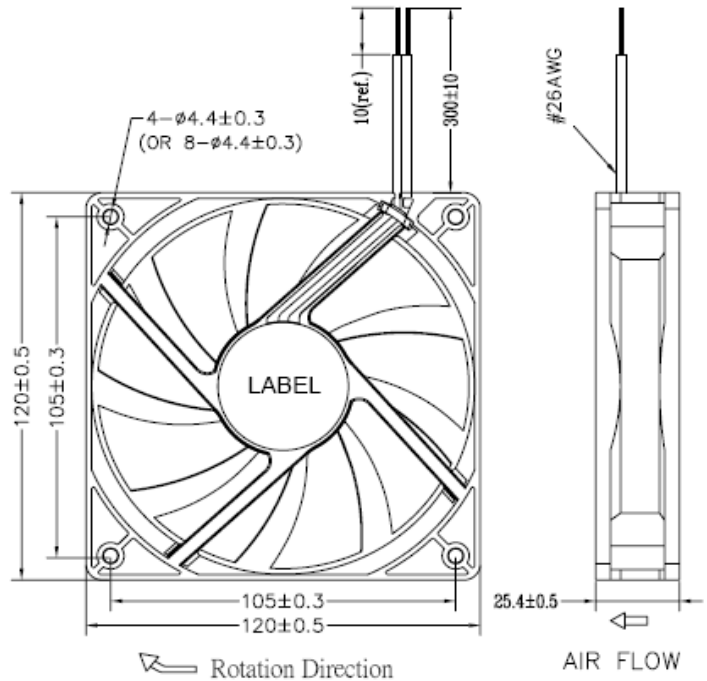
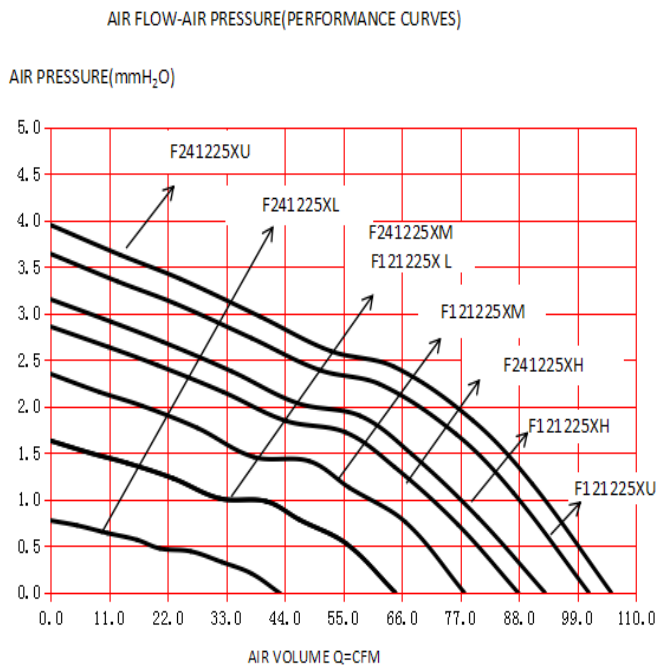
Operating Temp : 10~70°C

Protection : Auto-Restart/ Impedance

Material : Housing Plastic (UL : 94V-0)
Impeller Plastic (UL : 94V-0)

Weight : 140g

Safety Approval



Series	Bearing (*)	Rated Voltage (V)	Rated Current (Amp)	Input Power (W)	Rated Speed (rpm)	Air Flow		Static Pressure (mmH ₂ O)	Noise dB(A)
						(CFM)	m ³ /min		
F121225XL	▲●	12	0.20	2.4	1500	64.78	1.84	0.78	30.6
F121225XM	▲●	12	0.25	3.0	1800	77.73	2.20	2.35	34
F121225XH	▲●	12	0.32	3.84	2100	92.88	2.63	3.15	41.9
F121225XU	▲●	12	0.40	4.8	2400	101.12	2.86	3.64	43.1
F241225XL	▲●	24	0.03	0.72	1000	43.18	1.22	0.78	23.0
F241225XM	▲●	24	0.06	1.44	1500	64.78	1.84	1.63	30.6
F241225XH	▲●	24	0.15	3.6	2000	88.46	2.51	2.86	41.1
F241225XU	▲●	24	0.27	6.48	2500	105.34	2.98	3.95	46.6

*Bearing Type : ○ Sleeve ▲ EBR ● 2 Ball

*Noise measured at the distance of one meter from the axis of intake.

*The latest version would be as per the standard issued by REGO only.