

Rated Voltage : 12V

Operating Temp : 10~70°C

Protection : Auto-Restart

Material : Housing Plastic (UL : 94V-0)
 Impeller Plastic (UL : 94V-0)

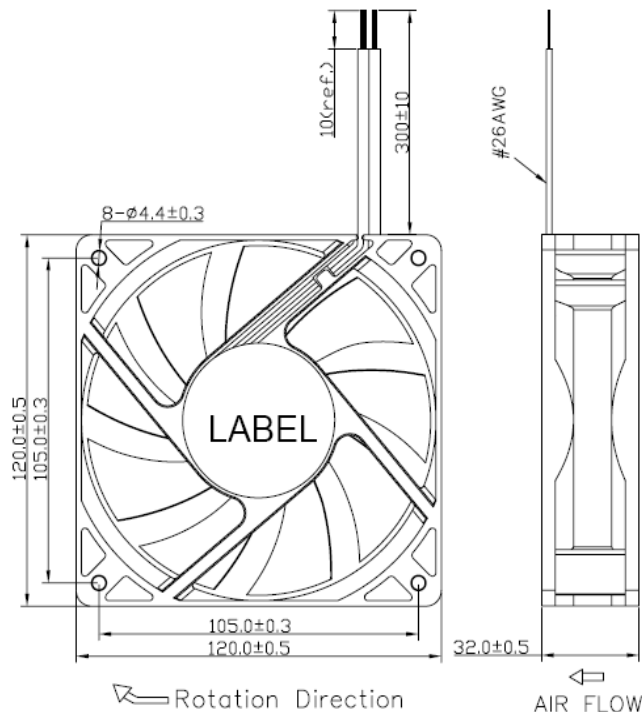
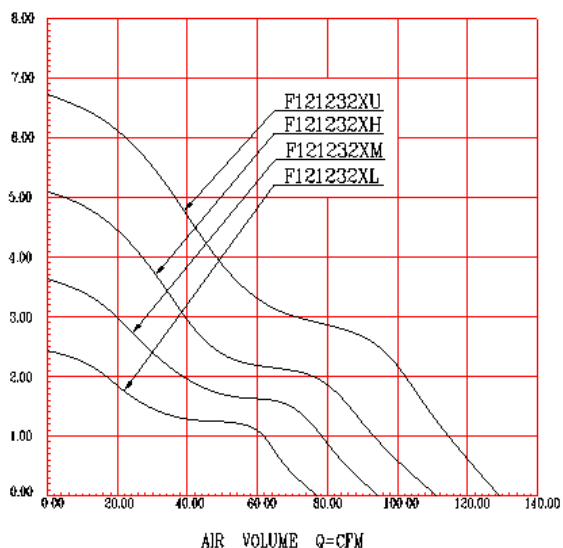
Weight : 230g

Safety Approval



AIR PRESURE-AIR FLOW (PERFORMANCE CURVES)

AIR PRESURE(mmH₂O)



Series	Bearing (*)	Rated Voltage (V)	Rated Current (Amp)	Input Power (W)	Rated Speed (rpm)	Air Flow		Static Pressure (mmH ₂ O)	Noise dB(A)
						(CFM)	m ³ /min		
F121232XL	●	12	0.25	3.00	1800	77.12	2.18	2.44	32.7
F121232XM	●	12	0.50	6.00	2200	94.26	2.67	3.65	39
F121232XH	●	12	0.65	7.80	2600	111.39	3.16	5.10	45
F121232XU	●	12	1.00	12.00	3000	128.53	3.64	6.79	47

*Bearing Type : ○ Sleeve ▲EBR ●2 Ball

*Noise measured at the distance of one meter from the axis of intake.

*The latest version would be as per the standard issued by REGO only.