

Rated Voltage : 5V /12V

Operating Temp : 10~70°C

Protection : Auto-Restart /Impedance

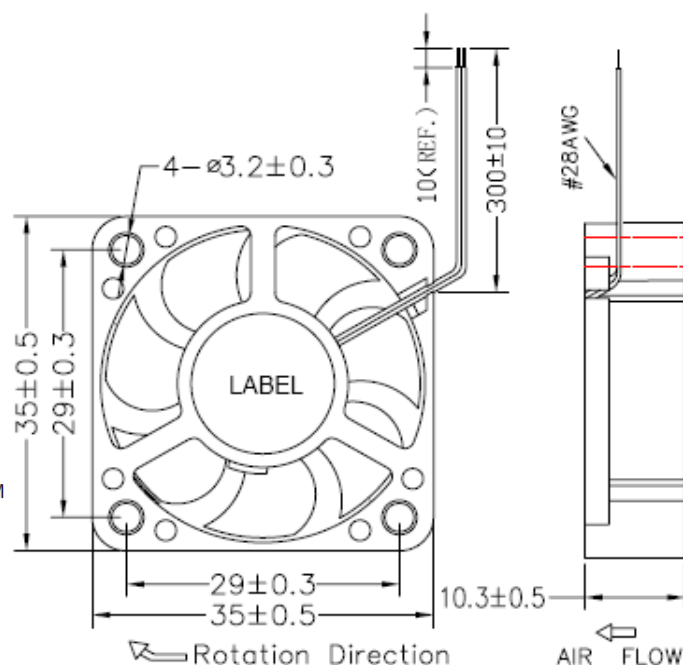
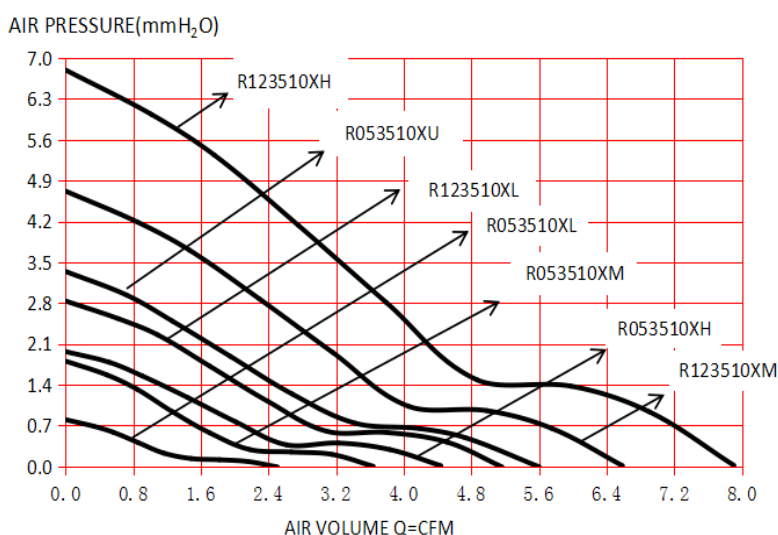
 Material : Housing Plastic (UL : 94V-0)
 Impeller Plastic (UL : 94V-0)

Weight : 10g

Safety Approval



AIR FLOW-AIR PRESSURE(PERFORMANCE CURVES)



Series	Bearing (*)	Rated Voltage (V)	Rated Current (Amp)	Input Power (W)	Rated Speed (rpm)	Air Flow		Static Pressure (mmH2O)	Noise dB(A)
						(CFM)	m3/min		
R123510XL	▲●	12	0.16	1.92	6000	5.17	0.15	2.84	25.0
R123510XM	▲●	12	0.18	2.16	7500	6.59	0.19	4.72	29.4
R123510XH	▲●	12	0.25	3.00	9000	7.91	0.22	6.8	34
R053510XL	▲●	5	0.07	0.35	3000	2.51	0.07	0.8	18.2
R053510XM	▲●	5	0.15	0.75	4000	3.64	0.10	1.80	19.6
R053510XH	▲●	5	0.17	0.85	5000	4.44	0.13	1.97	21.4
R053510XU	▲	5	0.24	1.20	6500	5.61	0.16	3.34	26.3
R053510XU	●	5	0.20	1.00	7500	6.59	0.19	4.72	29.4

*Bearing Type : ○ Sleeve ▲EBR ●2 Ball

*Noise measured at the distance of one meter from the axis of intake.

*The latest version would be as per the standard issued by REGO only.