

Rated Voltage : 12V

Operating Temp : 10~70°C

Protection : Auto-Restart /Impedance

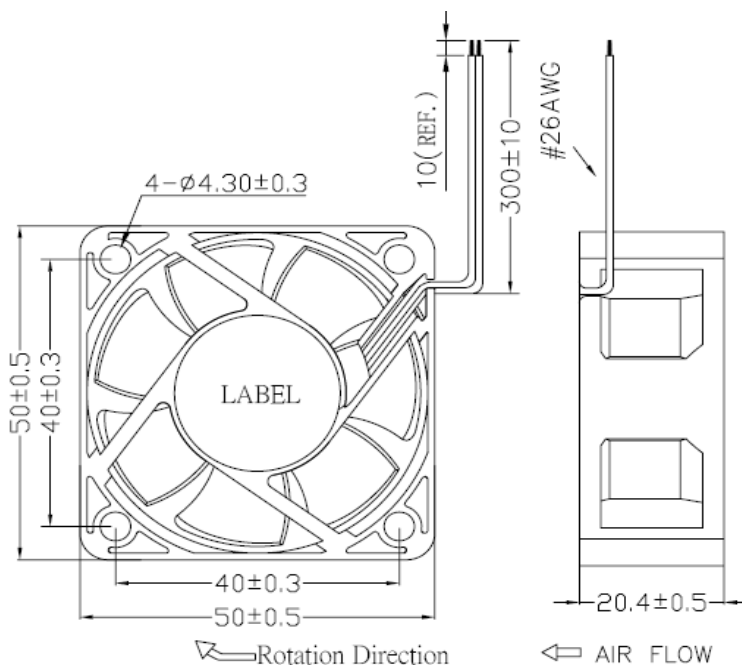
Material : Housing Plastic (UL : 94V-0)
Impeller Plastic (UL : 94V-0)

Weight : 33g

Safety Approval



AIR PRESURE-AIR FLOW (PERFORMANCE CURVES)



Series	Bearing (*)	Rated Voltage (V)	Rated Current (Amp)	Input Power (W)	Rated Speed (rpm)	Air Flow		Static Pressure (mmH ₂ O)	Noise dB(A)
						(CFM)	m ³ /min		
R125020XL	●	12	0.20	2.4	5000	16.33	0.46	4.14	29
R125020XM	●	12	0.35	4.2	6000	19.60	0.56	5.96	33.2
R125020XH	●	12	0.55	6.6	7000	22.86	0.65	8.12	37.2
R125020XU	●	12	0.70	8.4	8000	26.13	0.74	10.60	42.8
R125020XL	▲	12	0.20	2.4	5000	16.33	0.46	4.14	29
R125020XM	▲	12	0.35	4.2	6000	19.60	0.56	5.96	33.2
R125020XH	▲	12	0.55	6.6	7000	22.86	0.65	8.12	37.2

*Bearing Type : ○ Sleeve ▲EBR ●2 Ball

*Noise measured at the distance of one meter from the axis of intake.

*The latest version would be as per the standard issued by REGO only.