

Rated Voltage : 12V

Operating Temp : 10~70°C

Protection : Auto-Restart /Impedance

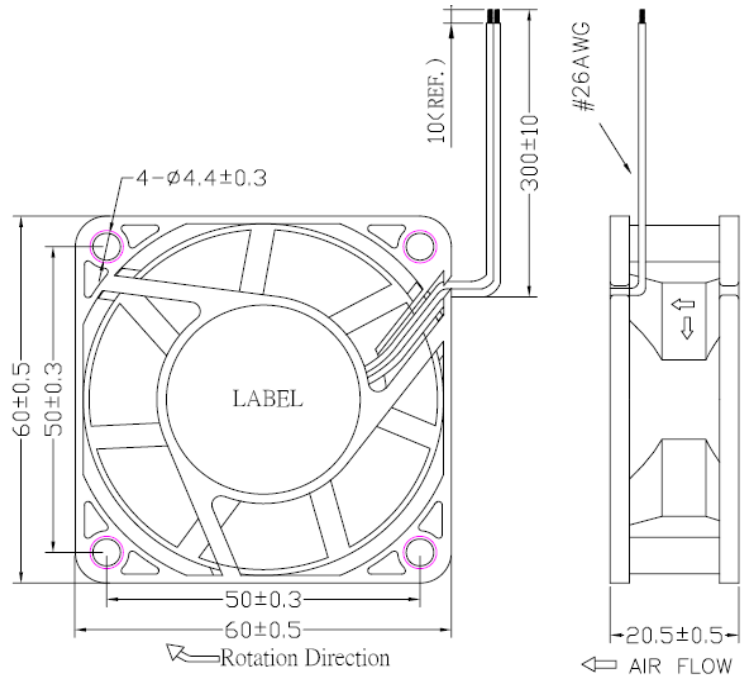
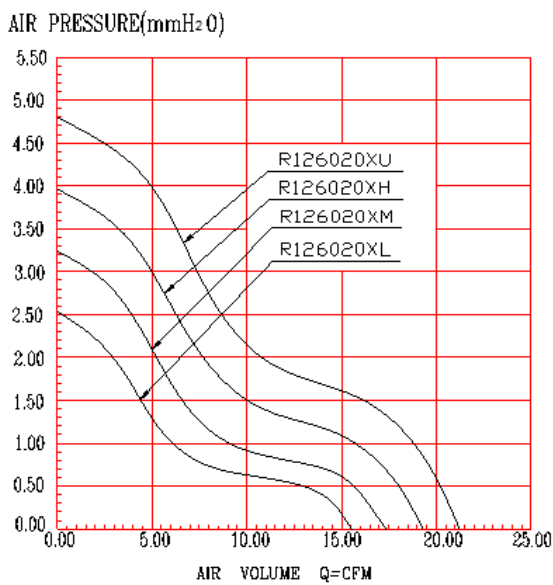
Material : Housing Plastic (UL : 94V-0)
 Impeller Plastic (UL : 94V-0)

Weight : 57g

Safety Approval



AIR FLOW-AIR PRESSURE(PERFORMANCE CURVES)



Series	Bearing (*)	Rated Voltage (V)	Rated Current (Amp)	Input Power (W)	Rated Speed (rpm)	Air Flow		Static Pressure (mmH2O)	Noise dB(A)
						(CFM)	m3/min		
R126020XL	▲●	12	0.09	1.08	3200	15.52	0.44	2.54	26.5
R126020XM	▲●	12	0.12	1.44	3600	17.46	0.49	3.22	28.1
R126020XH	▲●	12	0.15	1.80	4000	19.40	0.55	3.97	30
R126020XU	▲●	12	0.20	2.40	4400	21.34	0.60	4.80	32.5

*Bearing Type : ○ Sleeve ▲EBR ●2 Ball

*Noise measured at the distance of one meter from the axis of intake.

*The latest version would be as per the standard issued by REGO only.