

Rated Voltage : 12V

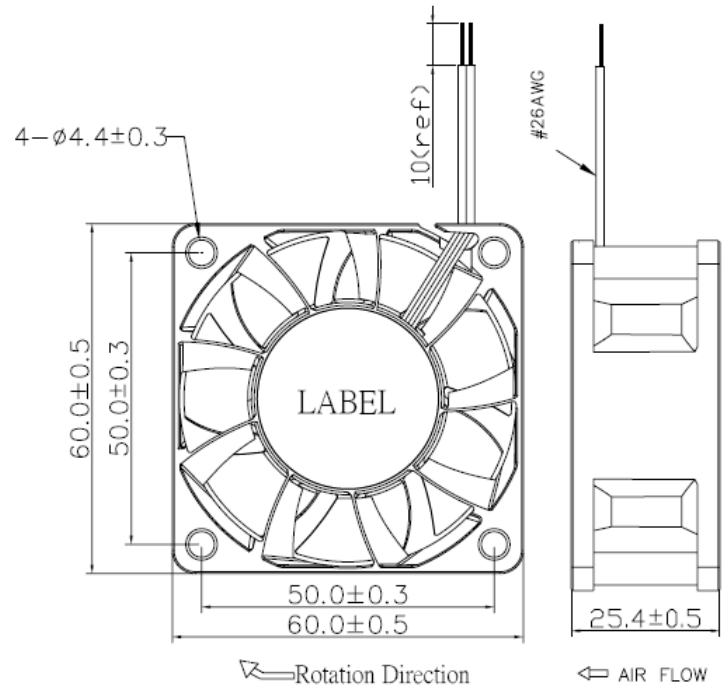
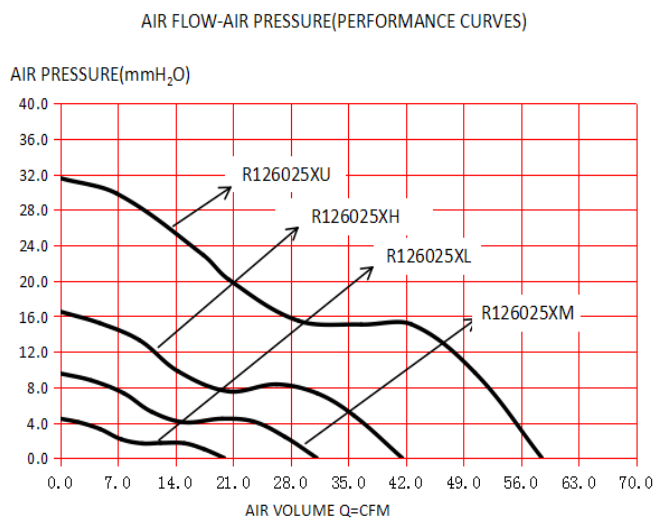
Operating Temp : 10~70°C

Protection : Auto-Restart /Impedance

Material : Housing Plastic (UL : 94V-0)  
Impeller Plastic (UL : 94V-0)

Weight : 79g

Safety Approval



Series	Bearing (*)	Rated Voltage (V)	Rated Current (Amp)	Input Power (W)	Rated Speed (rpm)	Air Flow		Static Pressure (mmH <sub>2</sub> O)	Noise dB(A)
						(CFM)	m <sup>3</sup> /min		
R126025XL	▲●	12	0.09	1.08	4000	19.95	0.57	4.45	27
R126025XM	▲●	12	0.21	2.52	6000	31.21	0.88	9.55	36.1
R126025XH	▲●	12	0.41	4.92	8000	41.59	1.18	16.52	43.2
R126025XU	▲●	12	0.95	11.40	11000	58.55	1.66	31.56	53.9

\*Bearing Type : ○ Sleeve ▲EBR ●2 Ball

\*Noise measured at the distance of one meter from the axis of intake.

\*The latest version would be as per the standard issued by REGO only.