

Rated Voltage : 12V

Operating Temp : 10~70°C

Protection : Auto-Restart /Impedance

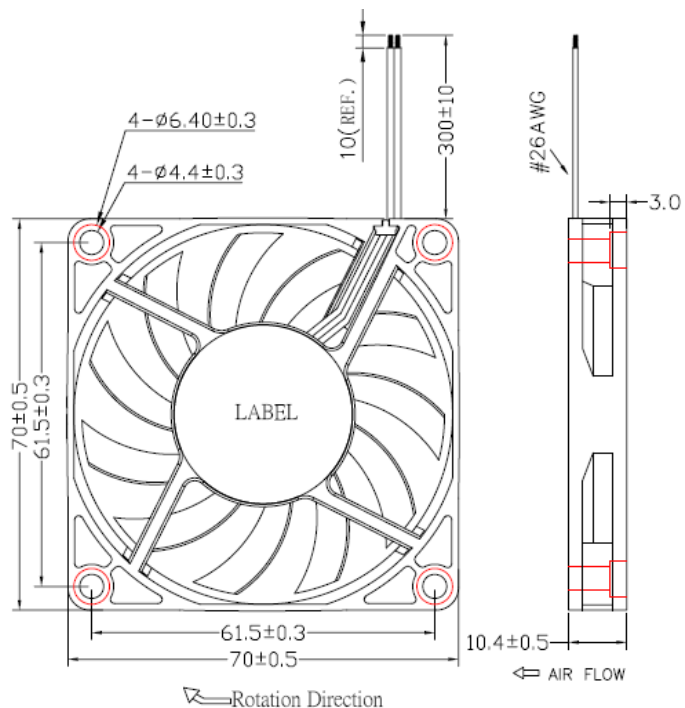
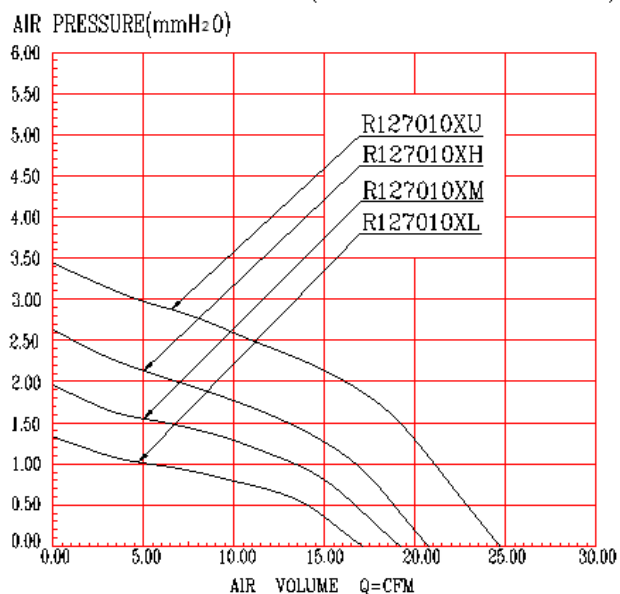
Material : Housing Plastic (UL : 94V-0)
Impeller Plastic (UL : 94V-0)

Weight : 35g

Safety Approval



AIR FLOW-AIR PRESSURE(PERFORMANCE CURVES)



Series	Bearing (*)	Rated Voltage (V)	Rated Current (Amp)	Input Power (W)	Rated Speed (rpm)	Air Flow		Static Pressure (mmH2O)	Noise dB(A)
						(CFM)	m3/min		
R127010XL	▲●	12	0.18	2.16	3000	15.42	0.44	1.34	27.3
R127010XM	▲●	12	0.25	3.00	3600	18.51	0.52	1.93	31.1
R127010XH	▲●	12	0.35	4.20	4200	21.60	0.61	2.63	36.7
R127010XU	▲●	12	0.45	5.40	4800	24.69	0.70	3.43	40.3

*Bearing Type : ○ Sleeve ▲EBR ●2 Ball

*Noise measured at the distance of one meter from the axis of intake.

*The latest version would be as per the standard issued by REGO only.