

Rated Voltage : 12V

Operating Temp : 10~70°C

Protection : Auto-Restart /Impedance

Material : Housing Plastic (UL : 94V-0)  
Impeller Plastic (UL : 94V-0)

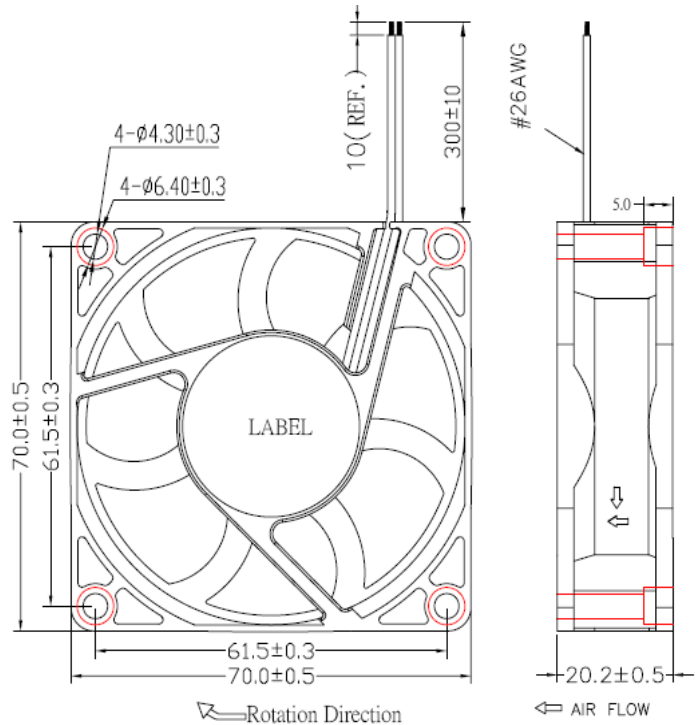
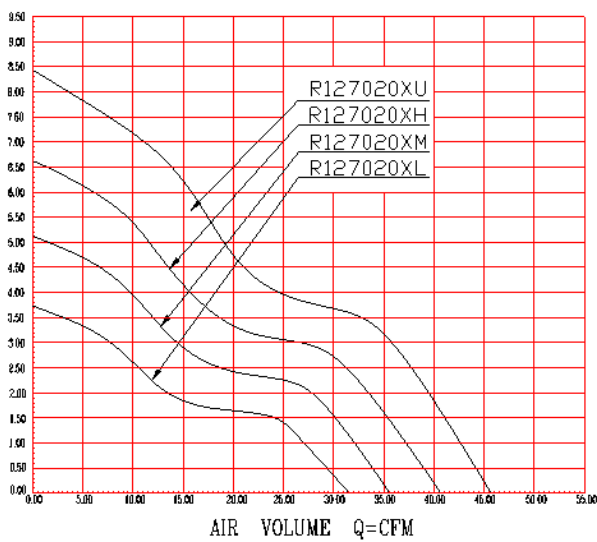
Weight : 58g

Safety Approval



### AIR FLOW-AIR PRESSURE(PERFORMANCE CURVES)

AIR PRESSURE(mmH<sub>2</sub>O)



Series	Bearing (*)	Rated Voltage (V)	Rated Current (Amp)	Input Power (W)	Rated Speed (rpm)	Air Flow		Static Pressure (mmH <sub>2</sub> O)	Noise dB(A)
						(CFM)	m <sup>3</sup> /min		
R127020XL	▲●	12	0.20	2.40	3600	30.51	0.86	3.76	33.3
R127020XM	▲●	12	0.26	3.12	4200	35.59	1.01	5.12	37
R127020XH	▲●	12	0.30	3.60	4800	40.67	1.15	6.69	40.7
R127020XU	▲●	12	0.40	4.80	5400	45.76	1.30	8.47	43.3

\*Bearing Type : ○ Sleeve ▲EBR ●2 Ball

\*Noise measured at the distance of one meter from the axis of intake.

\*The latest version would be as per the standard issued by REGO only.