

Rated Voltage : 12V

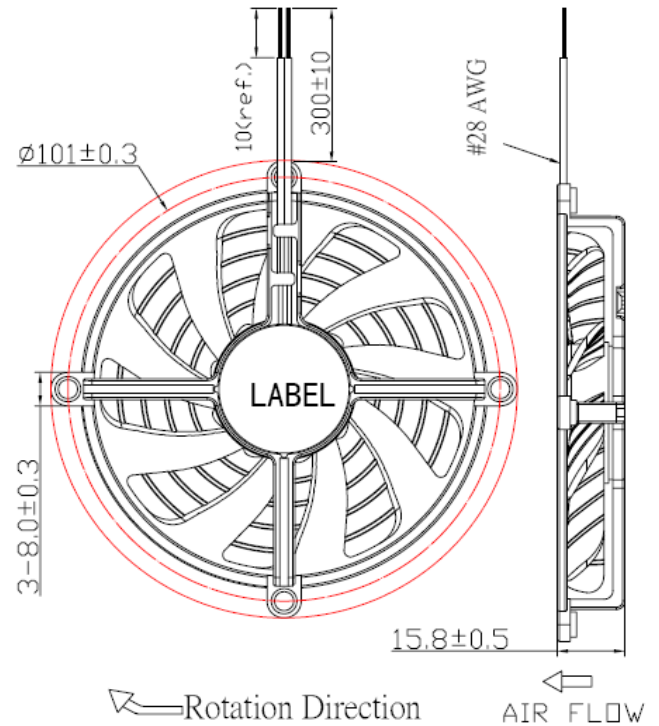
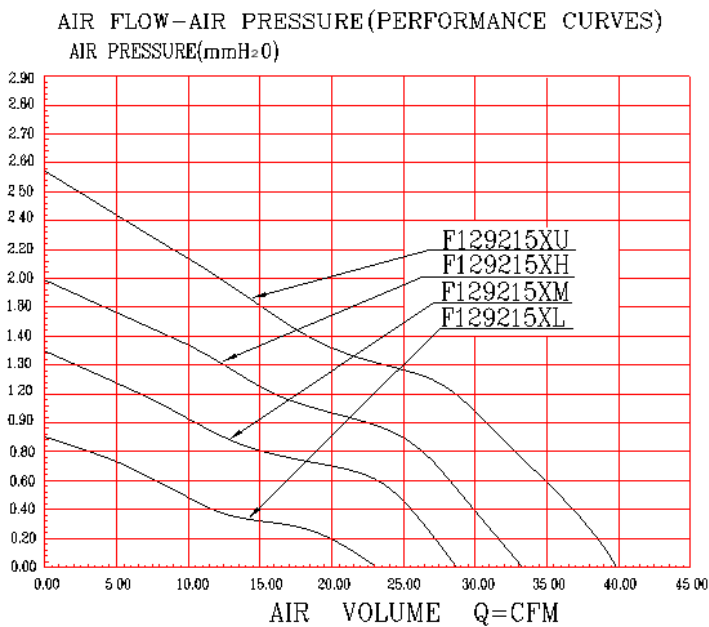
Operating Temp : 10~70°C

Protection : Auto-Restart/ Impedance

Material : Housing Plastic (UL : 94V-0)
Impeller Plastic (UL : 94V-0)

Weight : 33g

Safety Approval



Series	Bearing (*)	Rated Voltage (V)	Rated Current (Amp)	Input Power (W)	Rated Speed (rpm)	Air Flow		Static Pressure (mmH ₂ O)	Noise dB(A)
						(CFM)	m ³ /min		
F129215XL	▲●	12	0.20	2.40	2000	23.05	0.65	0.85	23
F129215XM	▲●	12	0.25	3.00	2500	28.67	0.81	1.34	26
F129215XH	▲●	12	0.30	3.60	3000	33.89	0.96	1.98	31
F129215XU	▲●	12	0.50	6.00	3500	39.62	1.12	2.57	35

*Bearing Type : ○ Sleeve ▲EBR ●2 Ball

*Noise measured at the distance of one meter from the axis of intake.

*The latest version would be as per the standard issued by REGO only.