

Rated Voltage : 12V

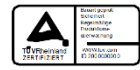
Operating Temp : 10~70°C

Protection : Auto-Restart/ Impedance

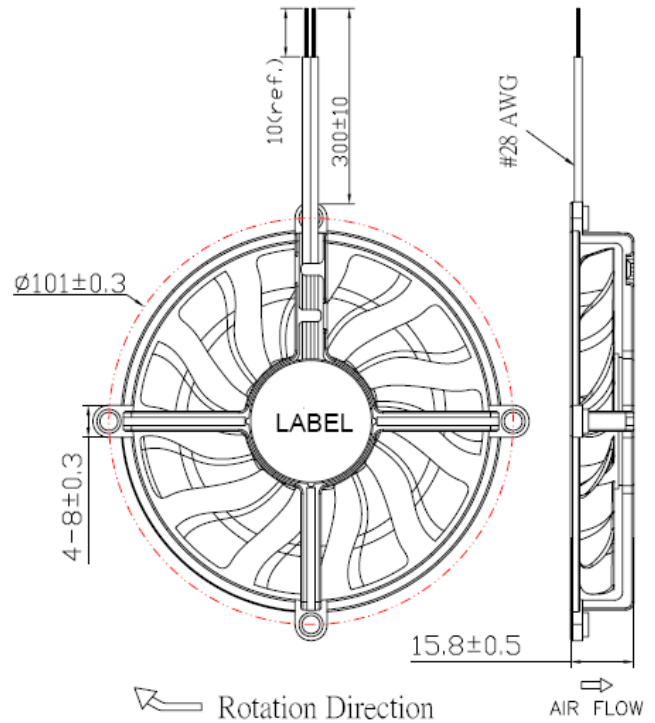
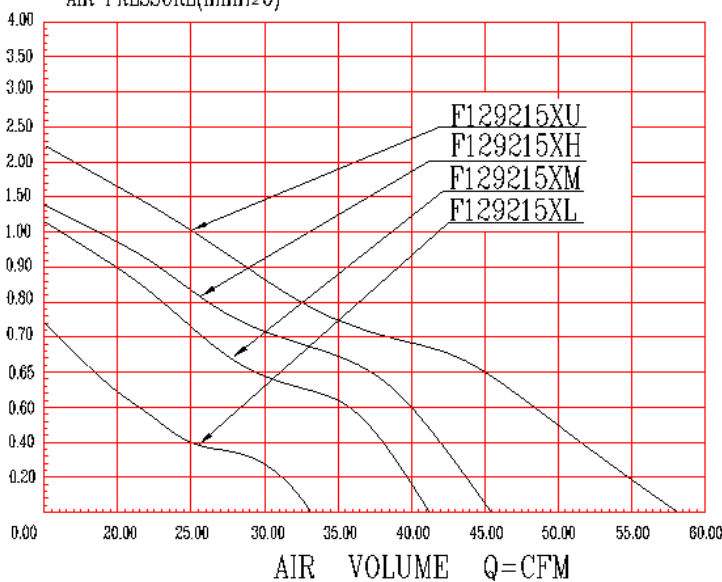
Material : Housing Plastic (UL : 94V-0)
Impeller Plastic (UL : 94V-0)

Weight : 32g

Safety Approval



AIR FLOW-AIR PRESSURE(PERFORMANCE CURVES)
AIR PRESSURE(mmH₂O)



Series	Bearing (*)	Rated Voltage (V)	Rated Current (Amp)	Input Power (W)	Rated Speed (rpm)	Air Flow		Static Pressure (mmH ₂ O)	Noise dB(A)
						(CFM)	m ³ /min		
F129215XL	▲●	12	0.20	2.40	2000	33.27	0.94	0.74	29.5
F129215XM	▲●	12	0.25	3.00	2500	41.59	1.18	1.15	31.2
F129215XH	▲●	12	0.30	3.60	3000	45.47	1.29	1.38	36.2
F129215XU	▲●	12	0.50	6.00	3500	58.23	1.65	2.25	40.5

*Bearing Type : ○ Sleeve ▲EBR ●2 Ball

*Noise measured at the distance of one meter from the axis of intake.

*The latest version would be as per the standard issued by REGO only.