

Rated Voltage : 12V

Operating Temp : 10~70°C

Protection : Auto-Restart /Impedance

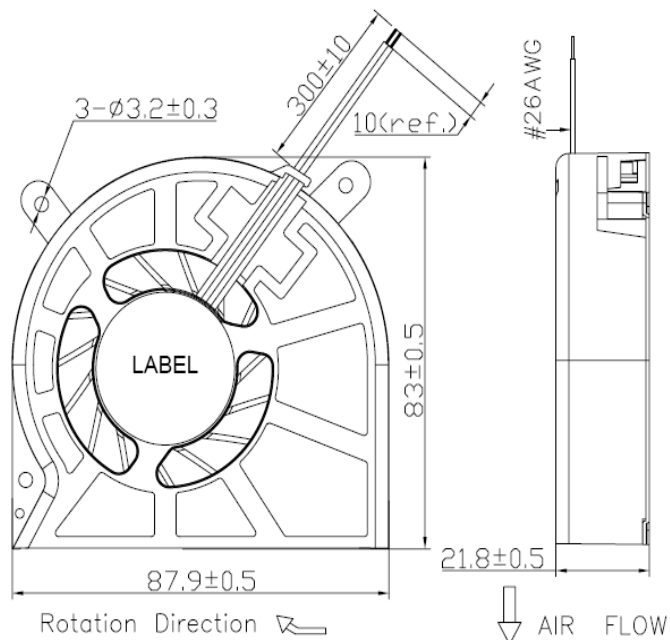
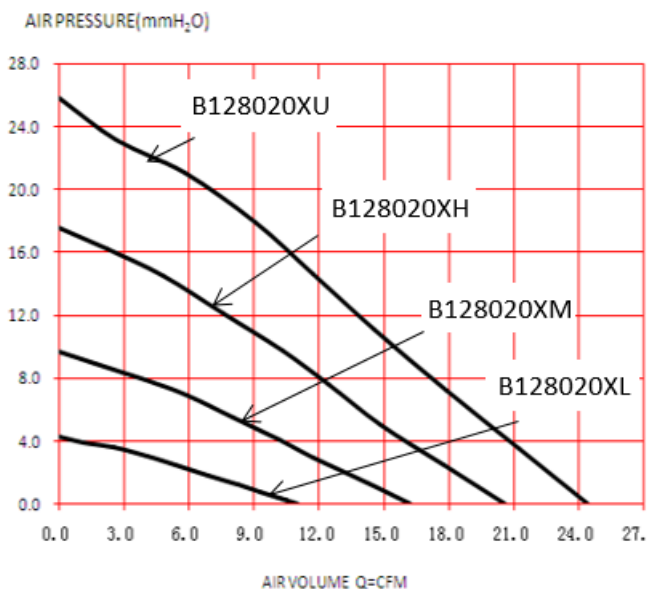
Material : Housing Plastic (UL : 94V-0)
 Impeller Plastic (UL : 94V-0)

Weight : 87g

Safety Approval



AIR FLOW-AIR PRESSURE(PERFORMANCE CURVES)



Series	Bearing (*)	Rated Voltage (V)	Rated Current (Amp)	Input Power (W)	Rated Speed (rpm)	Air Flow		Static Pressure (mmH ₂ O)	Noise dB(A)
						(CFM)	m ³ /min		
B128020XL	▲●	12	0.08	0.96	2000	11.00	0.31	4.23	26
B128020XM	▲●	12	0.18	2.16	3000	16.22	0.46	9.69	37
B128020XH	▲●	12	0.37	4.44	3800	20.60	0.58	17.57	44
B128020XU	▲●	12	0.6	7.2	4500	24.42	0.69	25.80	49

*Bearing Type : ○ Sleeve ▲EBR ●2 Ball

*Noise measured at the distance of one meter from the axis of intake.

*The latest version would be as per the standard issued by REGO only.