

Rated Voltage : 12V

Operating Temp : 10~70°C

Protection : Auto-Restart/ Impedance

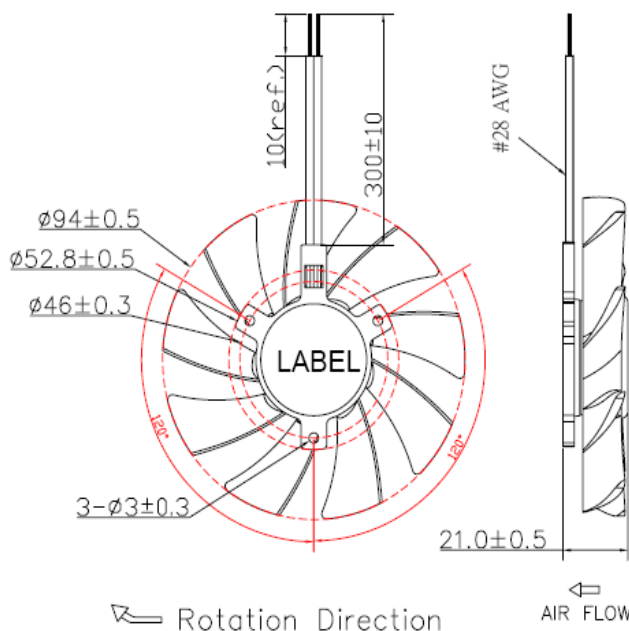
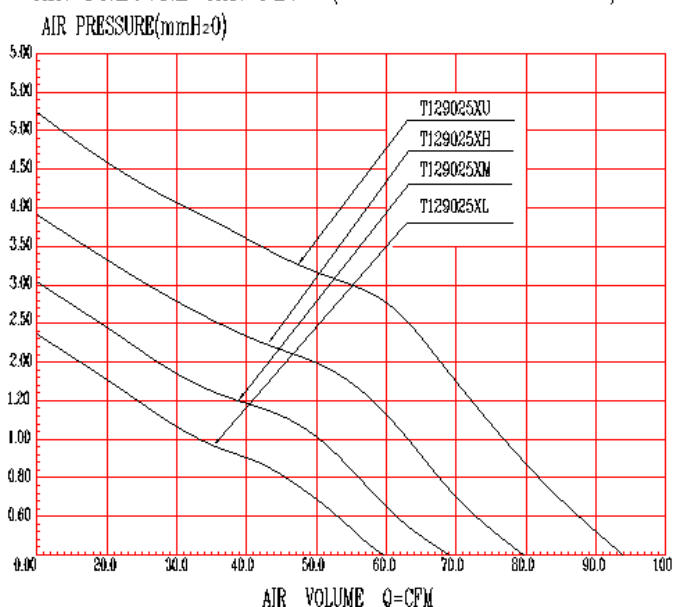
Material : Housing Plastic (UL : 94V-0)
Impeller Plastic (UL : 94V-0)

Weight : 66g

Safety Approval



AIR PRESURE-AIR FLOW (PERFORMANCE CURVES)



Series	Bearing (*)	Rated Voltage (V)	Rated Current (Amp)	Input Power (W)	Rated Speed (rpm)	Air Flow		Static Pressure (mmH2O)	Noise dB(A)
						(CFM)	m3/min		
T129025XL	▲●	12	0.13	1.56	2100	59.56	1.69	2.35	35.7
T129025XM	▲●	12	0.18	2.16	2450	68.86	1.95	3.02	38.7
T129025XH	▲●	12	0.24	2.88	2850	79.61	2.26	3.91	44.3
T129025XU	▲●	12	0.38	4.56	3450	93.94	2.66	5.24	47.2

*Bearing Type : ○ Sleeve ▲EBR ●2 Ball

*Noise measured at the distance of one meter from the axis of intake.

*The latest version would be as per the standard issued by REGO only.