

Rated Voltage : 12V

Operating Temp : 10~70°C

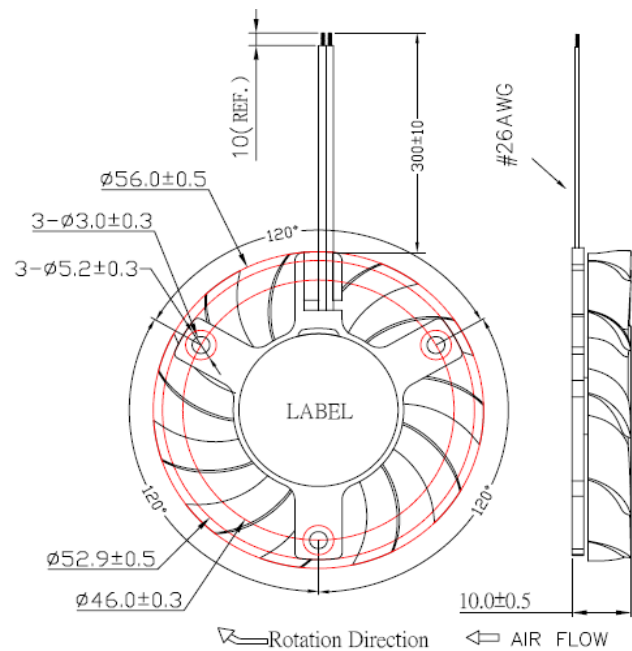
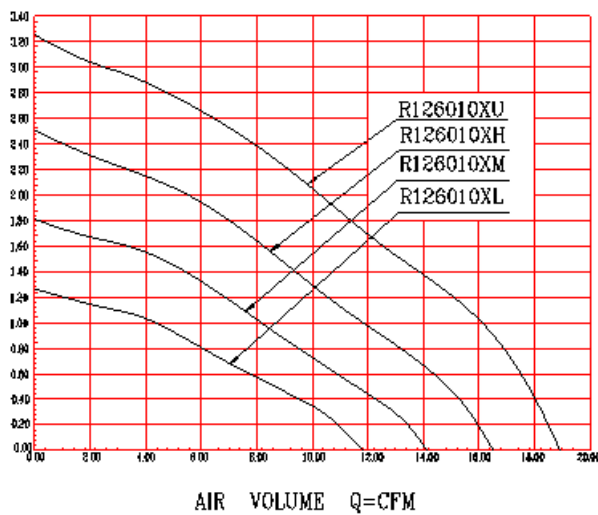
Protection : Auto-Restart /Impedance

 Material : Housing Plastic (UL : 94V-0)
 Impeller Plastic (UL : 94V-0)

Weight : 15g

Safety Approval


AIR FLOW-AIR PRESSURE (PERFORMANCE CURVES)

 AIR PRESSURE(mmH₂O)


Series	Bearing (*)	Rated Voltage (V)	Rated Current (Amp)	Input Power (W)	Rated Speed (rpm)	Air Flow		Static Pressure (mmH ₂ O)	Noise dB(A)
						(CFM)	m ³ /min		
T126010XL	▲●	12	0.10	1.20	3000	11.82	0.33	1.28	22.9
T126010XM	▲●	12	0.14	1.68	3600	14.19	0.40	1.84	27.7
T126010XH	▲●	12	0.20	2.40	4200	16.56	0.47	2.50	31.2
T126010XU	▲●	12	0.25	3.00	4800	18.93	0.54	3.26	37

*Bearing Type : ○ Sleeve ▲EBR ●2 Ball

*Noise measured at the distance of one meter from the axis of intake.

*The latest version would be as per the standard issued by REGO only.